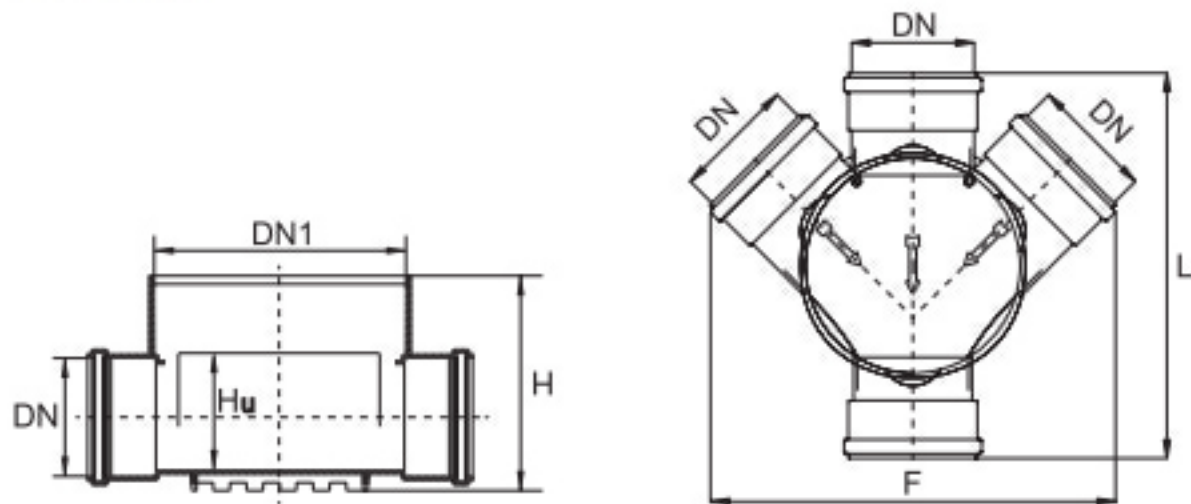


CHAMBER BASE TYPE 3 15 3 INLETS

WITH SEAL



DN [mm]	Dn1 [mm]	H [mm]	Hu [mm]	L [mm]	F [mm]	Product no.
160	341	310	185	521	650	33111
200	341	356	220	513	680	33211